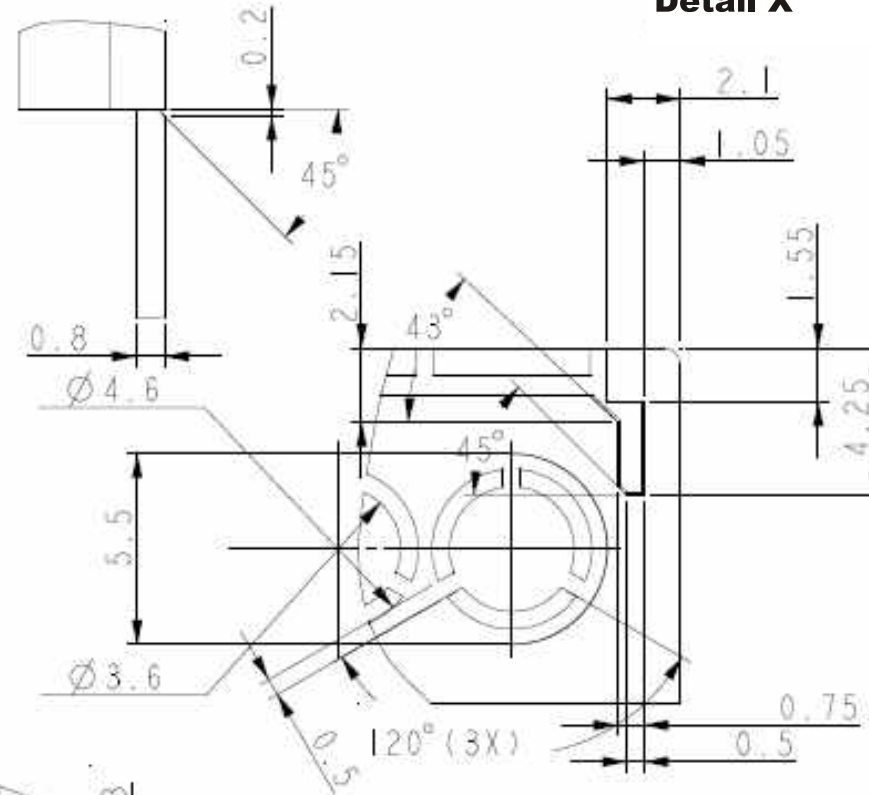


**Section A-A**

**Detail Y**

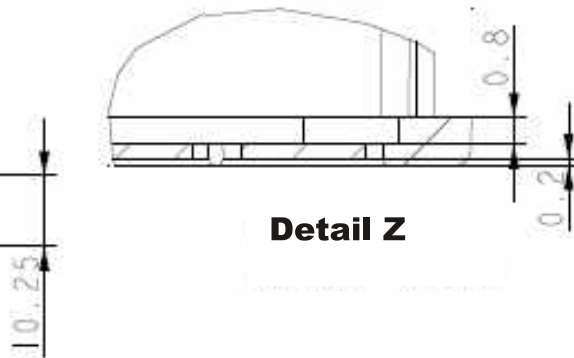


**Detail X**

**Detail Z**

**see Detail Z**

**see Detail X**



**4-MODULE-ENCLOSURE  
FOR M36 DIN-RAIL      SERIE 70**

**Type            70**  
**Cover for enclosure**  
**low, knock-out**

**Part No.: GH02HS02/070/130**

**All dimensions in mm**