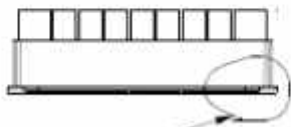
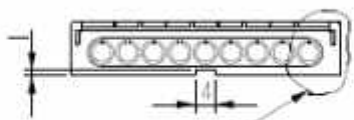


Section A-A



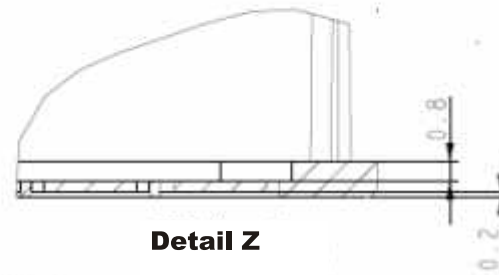
see Detail Z



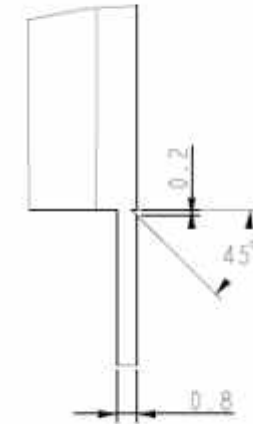
see Detail X



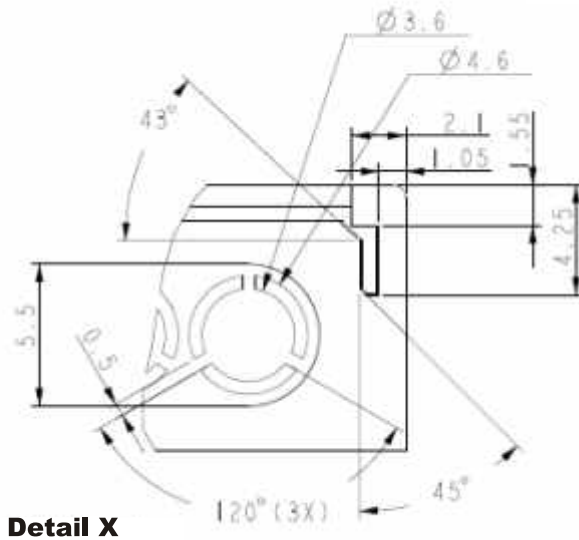
see Detail Y



Detail Z



Detail Y



Detail X



**6-MODULE-ENCLOSURE
FOR M36 DIN-RAIL SERIE 105**

**Type 105
Cover for enclosure
low, knock-out**

Part No.: GH02HS02/105/130

All dimensions in mm