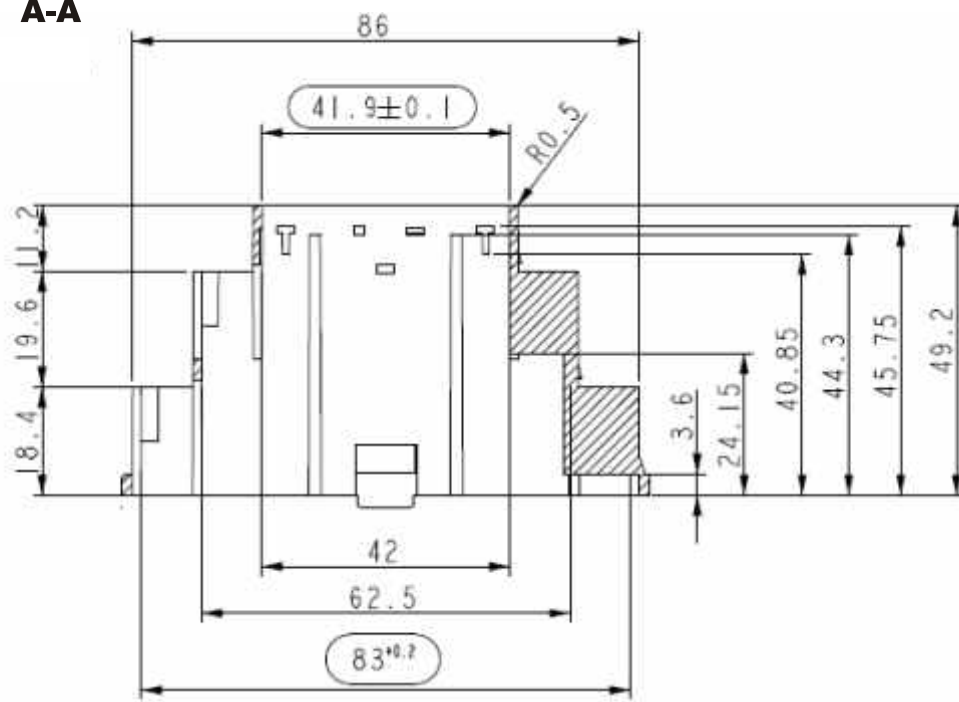
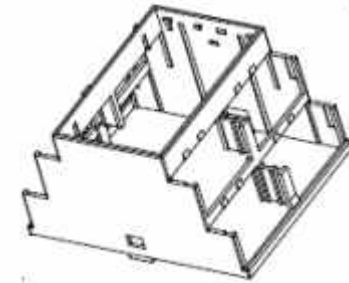
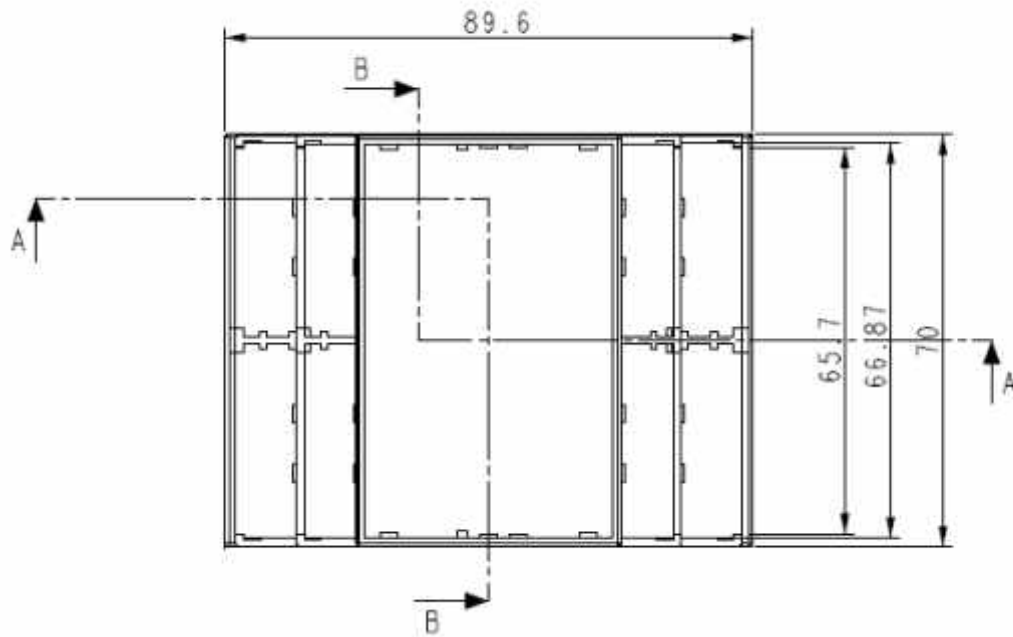
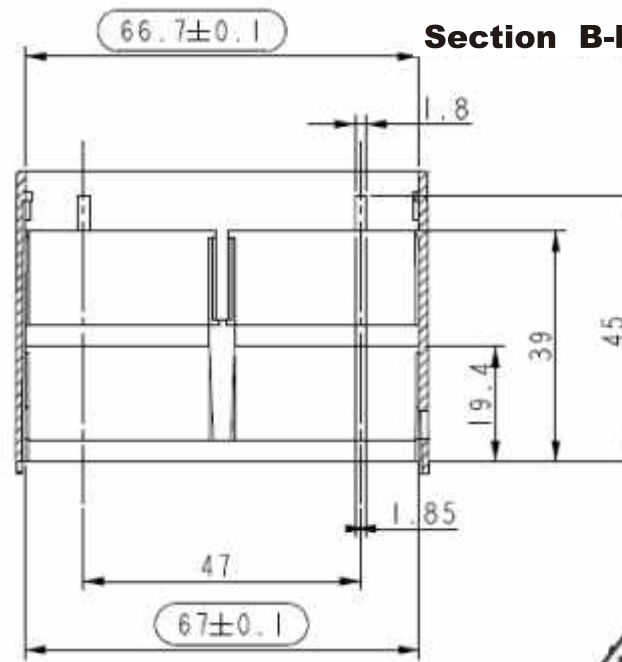


# Section A-A



# Section B-B



## 4-MODULE-ENCLOSURE FOR M36 DIN-RAIL      SERIE 70

Type            70  
Top part

Part No.: GH02HS02/070/010

All dimensions in mm