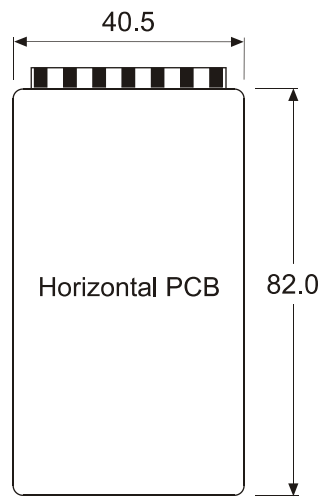
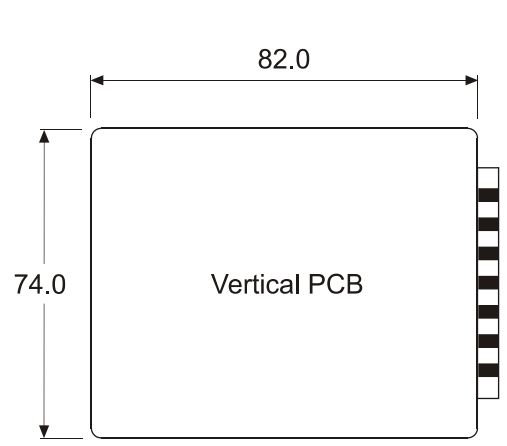
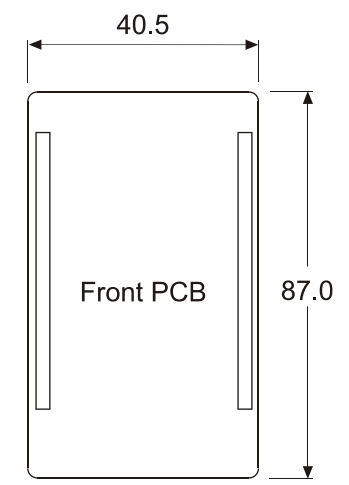
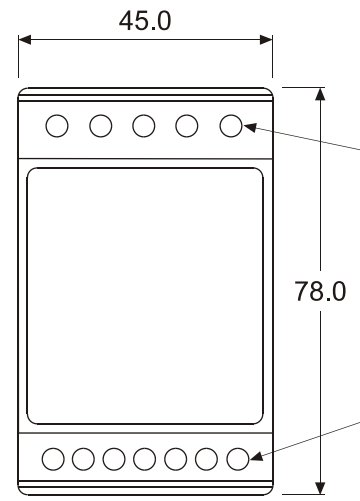
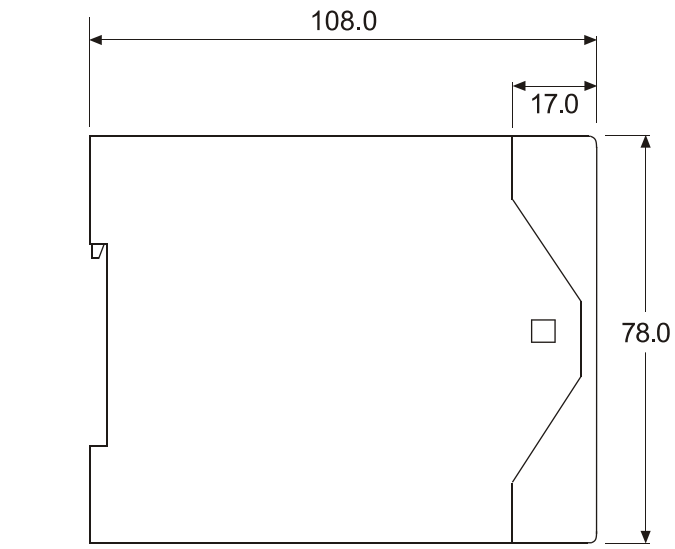


BASE PART

TOP PART

PCB DIMENSIONS:



16A terminals
(with wire guard)

8A terminals
(with wire guard)

Front PCB

Vertical PCB

Horizontal PCB

ENCLOSURE FOR
M36 DIN-RAIL

SERIES 450

Type 450

Order code: 4969003450

All measurements are in mm